



CAVARE

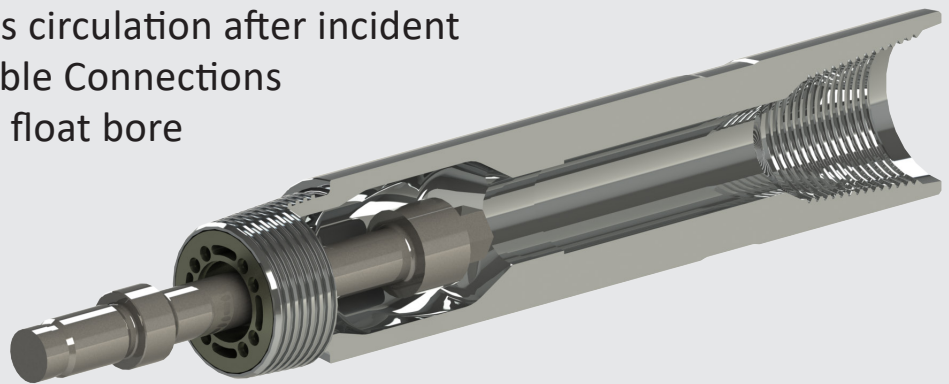
"Designing and Manufacturing Drilling Tools Since 1999"

EASY CATCH™

Cavare's Easy Catch™ is a motor catch system combined with a float sub effectively eliminating a connection. Customizable threads allow the Easy Catch to seamlessly integrate with your existing fleet without the cost of reconfiguring your current equipment.

Feature's include,

- Continuous circulation after incident
- Customizable Connections
- Integrated float bore



Specification

- 4 3/4" - 5" - 200,000* Lbs static pull
- 6 1/2" - 6 3/4" - 300,000* Lbs static pull
- Other sizes available upon request

Cavare

www.cavareinc.com
sales@cavareinc.com

*Calculation does not include connection to the rotor

Revised 10/31/2019